

# M/F Tee Handle Gas Ball Valves

## BV69

### Application:

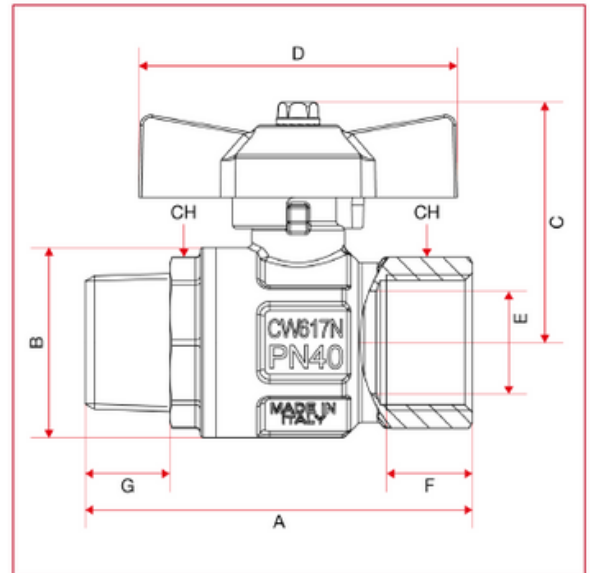
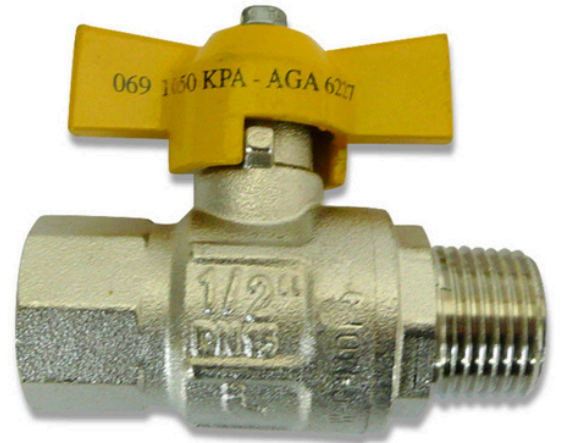
Full flow Gas ball valve for LPG and Natural Gas systems for residential, commercial and industrial applications.

### Specifications:

- AGA approved
- Designed and Manufactured in accordance with AS 4617-2018
- Working temperature Range: -20°C to 60°C
- Maximum working pressure: 2100 kPa
- Suitable for: LPG and Natural Gas

### Available in the following sizes:

- 1/4" (BV6904)
- 3/8" (BV6906)
- 1/2" (BV6912)
- 3/4" (BV6920)
- 1" (BV6925)



	1/4"	3/8"	1/2"	3/4"	1"
DN	8	10	15	20	25
A	56,9	58,9	68	75,5	90,5
B	23,5	24	30,5	37	45,5
C	37,3	37,3	43,8	46,8	50,8
D	47	47	54	62	62
E	8	10	15	20	25
F	11	11,4	15	16,3	19,1
G	11	11,5	15	16,5	19
CH	18	21	25	31	38

\*Installation must comply with AS/NZS 5601



Where would we be without Gas?